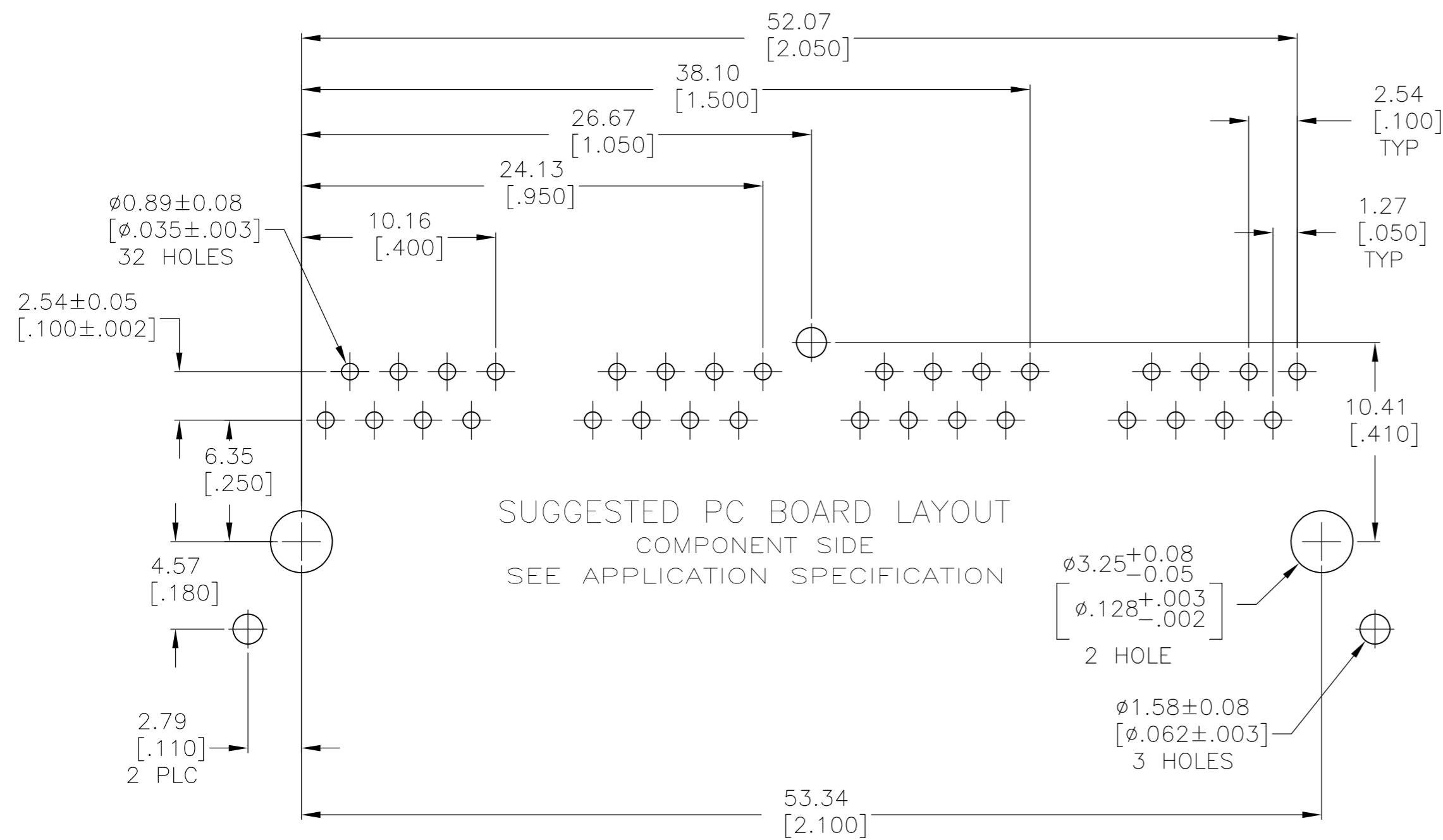
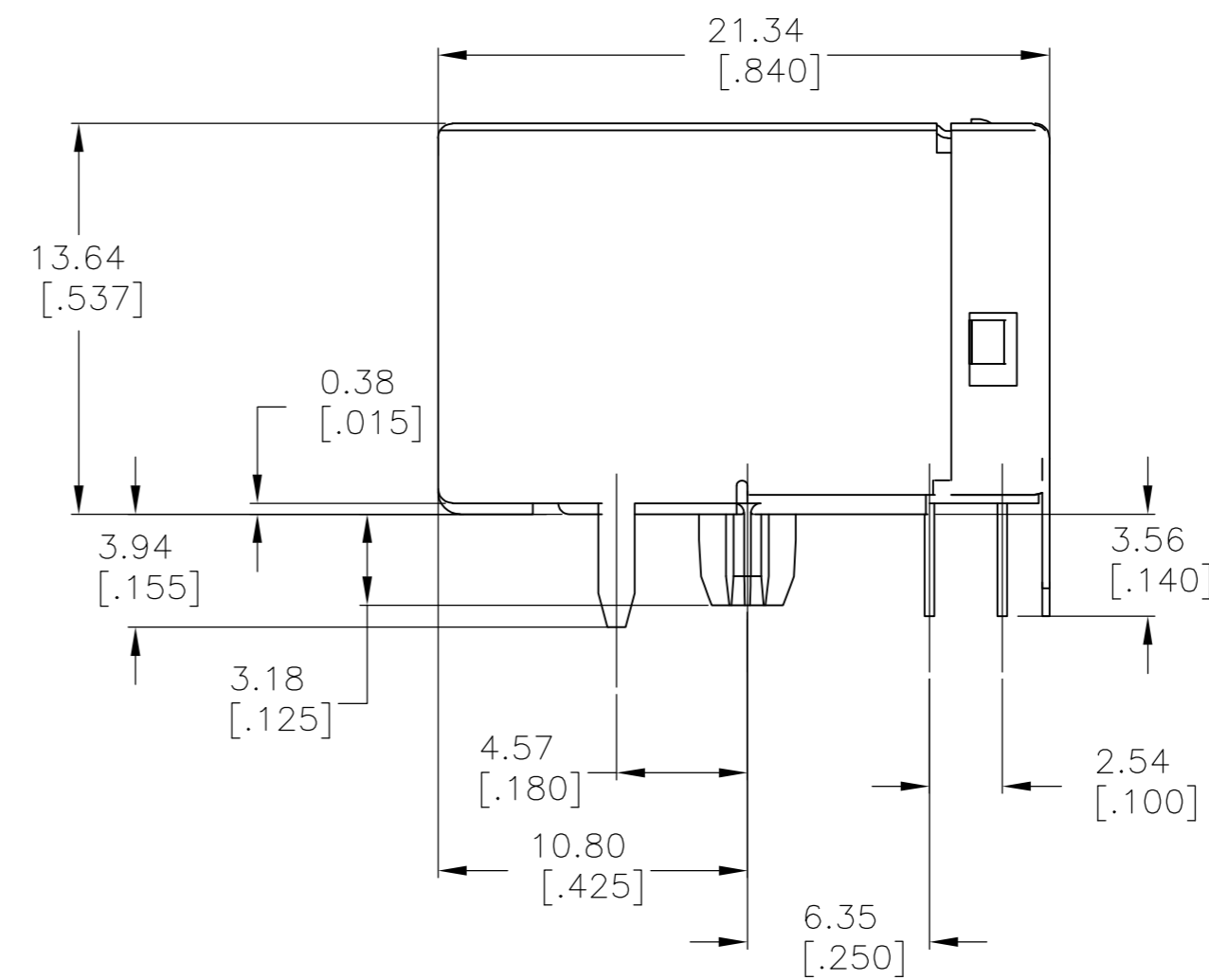
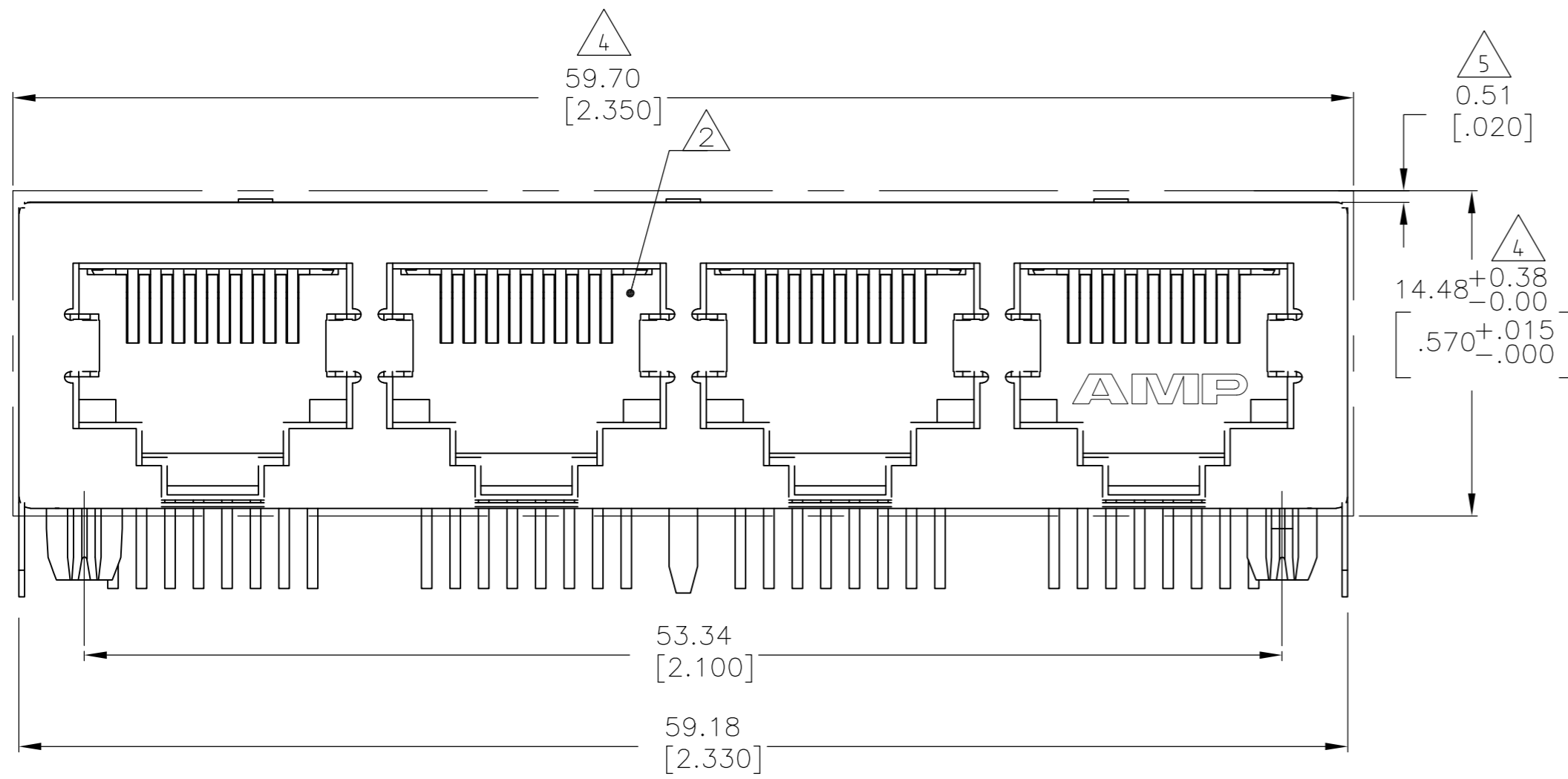


REVISIONS					
P	LTR	DESCRIPTION	DATE	DWN	APVD
E		ECO-16-005833	15APR2016	LL	SH



SUGGESTED PC BOARD LAYOUT
 COMPONENT SIDE
 SEE APPLICATION SPECIFICATION



- MATERIAL: HOUSING- HIGH TEMPERATURE NYLON, BLACK, IR COMPATIBLE, UL 94V-0.
 TERMINALS - 0.33 [.013] THICK PHOS BRONZE PLATED WITH 1.27um [.000050] MINIMUM HARD GOLD IN LOCALIZED AREA AND 3.81um [.000150] MINIMUM TIN IN SOLDER AREA OVER 1.27um [.000050] MINIMUM NICKEL UNDERPLATE

SHIELDS - 0.25 [.010] THICK COPPER ALLOY PLATED WITH 1.27 um [.000050] MINIMUM NICKEL AND 2.03 um [.000080] MINIMUM HOT TIN DIP ON PCB GROUND TABS.

- △ JACK CAVITY CONFORMS TO FCC RULES AND REGULATIONS, PART 68 SUBPART F.
- △ CAUTION: CATEGORY 5E JACK SOLDER TAIL POSITIONS DO NOT FOLLOW SAME NUMBER SEQUENCE AS THAT OF THE TRADITIONAL JACKS.
- △ SUGGESTED PANEL OPENING DIMENSIONS
- △ SUGGESTED CLEARANCE BETWEEN TOP OF CONNECTOR AND TOP PANEL OPENING

5558503-1
 PART NUMBER

THIS DRAWING IS A CONTROLLED DOCUMENT.		DWN W. LONG/L.A.MAYER 04NOV2006			5558503-1 PART NUMBER		
DIMENSIONS: mm [INCHES]		CHK J.WESTMAN 04NOV2006			TE Connectivity		MOD JACK ASSY, 4P, 8 POSN, RT, CAT 5E, PCB GND SHLD
TOLERANCES UNLESS OTHERWISE SPECIFIED:		APVD S.FLICKINGER 04NOV2006	NAME		RESTRICTED TO		
0 PLC ± -		PRODUCT SPEC	108-1163-2		SIZE		
1 PLC ± -		APPLICATION SPEC	114-2048		CAGE CODE		
2 PLC ± 0.25 [.010]		WEIGHT	0		DRAWING NO		
3 PLC ± -		FINISH	SEE NOTE 1		SCALE		
4 PLC ± -		SEE NOTE 1		CUSTOMER DRAWING		SHEET	
ANGLES ± -		SEE NOTE 1		A2 00779 C=5558503		1 OF 1	
FINISH		SEE NOTE 1		SCALE		REV	
SEE NOTE 1		SEE NOTE 1		4:1		E	